

SA SELECTORIZED SERIES

SA040 - LEG PRESS/HACK SQUAT



PRODUCT OVERVIEW

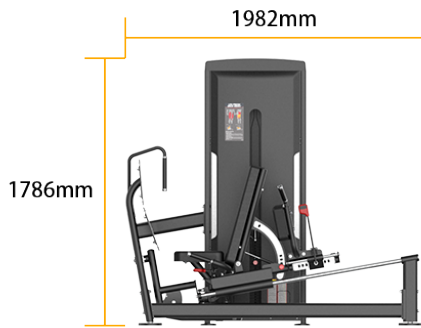
The SA040 is a dual-function selectorized strength training machine designed to target key lower-body muscle groups. It integrates a high-precision linear guide system with a smooth pulley mechanism to deliver a stable and fluid training experience. Featuring a dual-position backrest, the machine supports both seated leg press and supine hack squat positions, catering to a wide range of training goals and user capabilities, from strength building to muscle shaping.

The ergonomic backrest can be set upright or flat, while the 9-position adjustable seat and shoulder pads accommodate users of varying heights and leg lengths. This ensures proper alignment and optimal power output. The oversized, dual-angle anti-slip footplates offer multiple stance widths and elevations, fully activating the quadriceps, glutes, hamstrings, and adductors. An assist handle enhances safety and convenience during entry and exit, making the SA040 an ideal choice for intensive lower-body training in commercial gyms.

SPECIFICATIONS & KEY FEATURES

Specifications

Dimension:	1982*1038*1786mm
Total Weight:	353kg
Weight Stack:	125kg
Max Weight Stack:	125kg



Product Features



Dual-Function Design

Supports both seated leg press and supine hack squat training modes, expanding training variety and accommodating different hip mobility and strength levels.



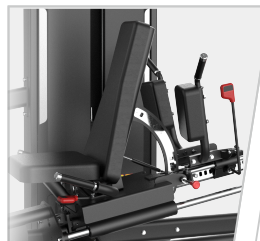
High-Precision Guide & Pulley System

Ensures smooth, stable motion throughout the exercise, enhancing control and overall training feel.



Angled Oversized Footplates

Allows various foot placements in width and height, adapting to different ankle mobility needs and enabling targeted muscle activation.



9-Position Adjustable Seat & Shoulder Pads

Provides precise alignment for users of different sizes, improving comfort, power output, and training safety.



Assist Handle for Entry & Exit

User-friendly support feature enhances accessibility and safety when getting on and off the machine.